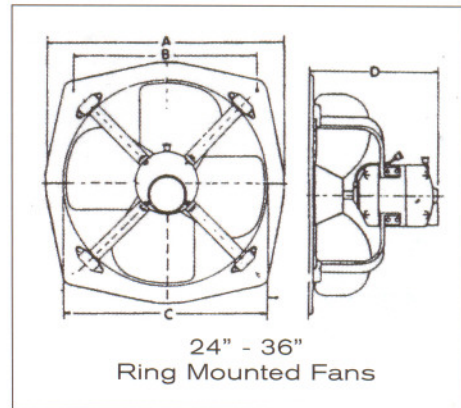
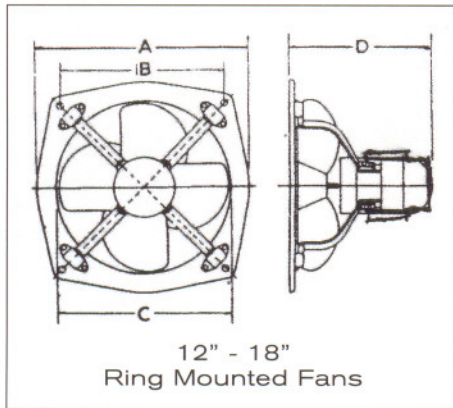


EXHAUST FANS

Model	Size	Voltage	RPM	Power (W)	CFM	CMH
WT-12	12"	230VAC/50Hz	1400	100	1100	1800
WT-15	15"	230VAC/50Hz	1400	180	1700	2800
WT-18	18"	230/415VAC, 50Hz	1400	230	3000	4900
WT-24A	24"	230/415VAC, 50Hz	900	390	4300	7200
WT-24B	24"	230/415VAC, 50Hz	1400	700	7000	11700
SF-30	30"	415VAC/50Hz	900	1000	12000	20000
SF-36	36"	415VAC/50Hz	700	1200	16000	26700

DIMENSION



Size (in)	A	B	C	D	Weight (kg)	Model
12	15 ¹ / ₄	12 ¹ / ₈	12 ³ / ₄	9 ³ / ₄	5.5	WT-12
15	19	14 ¹ / ₂	16 ¹ / ₄	10 ¹ / ₄	7.2	WT-15
18	22	17 ¹ / ₄	18 ¹ / ₂	11 ³ / ₄	9.6	WT-18

Size (in)	A	B	C	D	Weight (kg)	Model
24A	28 ¹ / ₂	22 ¹ / ₂	24 ¹ / ₄	13 ¹ / ₂	22.1	WT-24A
24B	28 ³ / ₄	22 ⁵ / ₈	24 ³ / ₄	15	27	WT-24B
30	35 ¹ / ₄	27 ⁵ / ₈	31	15	41.6	SF-30
36	41	32	37	20 ¹ / ₄	80	SF-36